

EVOLUTION OF AIR CONTROL



ENGLISH

# GATOR INFLATOR MID

Operating manual

## Legal information

### © 2019 WEGMANN automotive GmbH

These instructions are protected by copyright. All usual rights are reserved. Duplication and translation of this manual, even in part, is permitted only with the approval of WEGMANN automotive GmbH.

Any violation will result in compensation for damages and may result in criminal penalties. We reserve the right to provide information on nominal conditions, technical changes, improvements and errors. This manual is the original document and written in German.

### WEGMANN automotive GmbH

Rudolf-Diesel-Straße 6  
97209 Veitshoechheim  
Germany

Phone: +49 (0) 931-32104-0  
E-Mail: [info@wegmann-automotive.com](mailto:info@wegmann-automotive.com)  
Internet: [www.wegmann-automotive.com](http://www.wegmann-automotive.com)



# INDEX OF CONTENTS

<b>1</b>	<b>Notes on this operating manual.....</b>	<b>05</b>
1.1	Use and purpose of the operating manual.....	05
1.2	Symbols used in this operating manual.....	05
1.3	Storage of the documents.....	05
1.4	Validity of the operating manual.....	05
1.5	Applicable documents and regulations.....	06
1.6	Personnel qualification.....	06
1.7	Declaration of conformity (formerly calibration)/ type examination.....	07
1.8	Warranty and liability.....	07
1.9	Obligations of the operator.....	07
<b>2</b>	<b>For your safety.....</b>	<b>08</b>
2.1	Safety and warning notices.....	08
2.1.1	Structure of warning notices.....	08
2.1.2	Classification of the warning notices.....	08
2.2	Intended use.....	09
2.3	Hazard area.....	09
2.4	Basic security instructions.....	10
2.5	Application limits.....	10
2.6	What to pay attention to in case of an emergency.....	10
<b>3</b>	<b>Setup.....</b>	<b>11</b>
<b>4</b>	<b>Commissioning.....</b>	<b>12</b>
4.1	Transport and storage.....	12
4.2	Installation.....	12
4.3	Check before use.....	12
4.4	Check after use.....	12
<b>5</b>	<b>Service.....</b>	<b>13</b>
5.1	Check pressure.....	13
5.2	Fill tires.....	13
5.3	Deflate tires.....	13

# INDEX OF CONTENTS

- 6 Troubleshooting in case of malfunctions..... 14**
- 7 Maintenance ..... 15**
  - 7.1 Care and cleaning ..... 15
  - 7.2 Servicing ..... 16
  - 7.3 Calibration..... 16
  - 7.4 Repair ..... 16
- 8 Shutdown ..... 17**
  - 8.1 Disconnect device connections ..... 17
  - 8.2 Temporary shutdown ..... 17
  - 8.3 Recommissioning..... 17
  - 8.4 Final shutdown/disposal ..... 17
- 9 Spare parts and customer service..... 18**
  - 9.1 Spare parts ..... 18
  - 9.2 Customer service..... 18
- 10 Technical specifications ..... 19**

# 1. NOTES ON THIS OPERATING MANUAL

## 1.1 Use and purpose of the operating manual

The operating manual is for the trained personnel.

**These operating instructions will help you to:**

- avoid dangers,
- prevent downtime,
- safeguard or increase the service life of this product.

Hazard notices, safety regulations and the information in this operating manual are without exception to be observed. For the proper and safe handling and implementation of the device, it is mandatory to read, understand and use the operating manual.

As a rule, a company specific instruction will be less extensive than this operating manual. The operating manual should also serve as a basis for training the qualified personnel.

## 1.2 Symbols used in this operating manual

In this manual different markings and symbols are used. These are explained below.

➔ Symbol for a required action or measure

➔ Action subdivided

1. Numbered steps

☑ **Result of a sequence of actions or steps**

■ Symbol for a listing

▪ Symbol for a sub-listing

➔ Chap. – Reference to a chapter / Fig. – Reference to an illustration.

## 1.3 Storage of the documents

➔ Keep this manual and all other applicable documents in a safe place so that they are available all the time.

➔ Hand over the complete documents to the next owner.

## 1.4 Validity of the operating manual

This operating manual applies exclusively to the following products:

- Tire inflator device, hereinafter referred to as „device“.

## 1.5 Applicable documents and regulations

Further documents are valid in combination with this operating manual.

- ➔ It is important to observe all the instructions for supplementary parts and components.
- ➔ When handling and during all service work continue to observe:
  - the recognized technical rules for safe and professional work,
  - the legal regulations for accident prevention,
  - the legal regulations for environmental protection,
  - the employer's liability insurance association regulations,
  - the regulations applicable in other countries,
  - the requirements relevant to the state of the art.

## 1.6 Personnel qualifications

The operating manual is for the trained personnel.

The operating personnel is authorized to clean and maintain the device. The operating personnel is responsible for the correct operation of the device.

**The operating personnel must:**

- have read and understood the operating manual,
- have reached the legal minimum age,
- ensure that the device is checked and serviced.

People with limited physical, sensory or mental abilities are not allowed to use the tire inflator unless they are supervised and instructed by a supervisor.

## 1.7 Declaration of conformity (formerly calibration)/ type examination

With the Measurement and Verification Act (MessEG) of 25.07.13 and the new Measurement and Verification Ordinance of

11.12.14 the formal type approval and initial verification were replaced by the type test and the conformity assessment (module B/F).

The tire inflator is safely designed and built in accordance with the applicable technical rules and the harmonized European standard DIN EN 12645:2014 for tire inflation devices.

## 1.8 Warranty and liability

In principle, the „General terms and conditions of sale and delivery” of WEGMANN automotive GmbH apply.

Warranty and liability claim for personal injury and property damage are excluded if they are attributed to one or more of the following causes:

- Improper use
    - Chap. 2.2 „Intended use”
  - failure to observe the instructions, commands and prohibitions in the operating manual,
  - unauthorized structural changes to the device,
  - inadequate monitoring of wear parts,
  - repairs that are not carried out properly and in good time.
- Observe the legal regulations.

Changes to the device can void the warranty. To avoid this, follow the following instructions:

- do not make any unauthorized changes or manipulations.
- use only correct and permissible materials.
- use only approved and suitable spare parts.
  - Chap. 9 „Spare parts and customer service”

## 1.9 Obligations of the operator

**The operator must:**

- ensure that only trained and qualified personnel is involved,
- inform the manufacturer immediately of any damage found,
- provide the personnel with the necessary protective equipment and check and maintain it in accordance with the regulations.
- find out about the occupational health and safety regulations applicable at the place of use and determine additional hazards in a risk assessment that result from the special working conditions at the place of use. The knowledge gained from this must be implemented in the form of operating instructions.

## 2. FOR YOUR SAFETY

This operating manual contains safety instructions.


→ follow all instructions to prevent personal injury, environmental or property damage.

### 2.1 Safety and warning notices

The basic safety instructions include the ones that generally apply to the safe use or the safe maintenance of the device. The action-related warning notices warn you of residual dangers and indicate a dangerous step.



#### 2.1.1 Structure of warning notices

Warning notices are structured as follows:

 SIGNAL WORD
Nature and source of danger! Explanation of the type and source of the danger.
→ Measures to avoid the danger

#### 2.1.2 Classification of the warning notices

The action-related warning notices are marked with different signal words, symbols and colors, according to the severity of the danger. The warnings used in the text are explained below.

 DANGER
Immediate danger to life or serious injuries.
 WARNING
Immediate danger to life or serious injuries.
 CAUTION
Immediate danger to life or serious injuries.
 ATTENTION
Immediate danger to life or serious injuries.



## 2.2 Intended use

The tire inflation device is a measuring device and is used exclusively for checking the tire pressure, filling and deflating tires with condensate-free compressed air or nitrogen.

The device may only be used on a proper compressed air network that is approved for a maximum operating pressure of 16 bar and is equipped with a safety valve. Any other or additional use is considered improper.

### Improper use (foreseeable misuse)

→ Avoid the misuse listed below:

- use as a compressed air gun,
- use in potentially explosive environments in which substances such as flammable liquids, gases and especially paint and dust mist are located,
- use of unauthorized spare parts.

## 2.3 Hazard area

There are areas on and around the device that pose an increased risk to your or other people safety.

→ Be aware of the following danger areas:

- compressed air escapes from the valve adapter.
  - compressed air can escape from the quick coupling.
  - connecting or disconnecting the quick coupling without a pressure free state can cause a loud pop.
- Never point the device at yourself, at other people or animals.
- Direct unauthorized persons out of these danger areas.
- Do not leave the device lying around, hang it up by the hanging loop.

## 2.4 Basic security instructions

→ Observe the following information for your protection and the protection of the environment.

### Protective equipment

The protective equipment ordered by your employer must be available and must always be used during the corresponding activity, otherwise serious injuries may happen.

→ Always wear the protective equipment prescribed by your employer.

## 2.5 Application limits

→ Pay attention to the following requirements for the operational environment and the infrastructure:

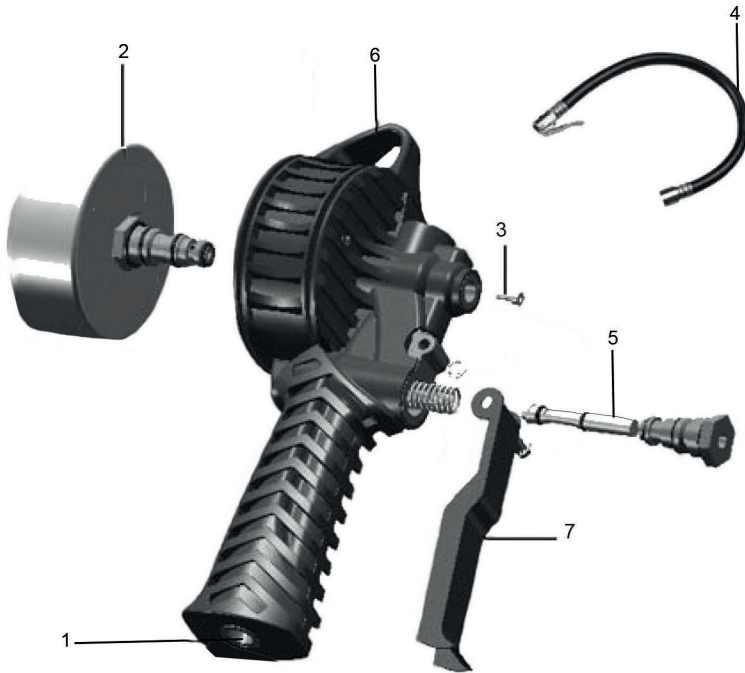
- Working pressure of maximum 16 bar,
- Fill medium only air or nitrogen,
- No oxygen or other flammable gases as a filling medium,
- Temperature range from -20 °C to +55 °C.

## 2.6 What to pay attention to in case of an emergency

**According to the circumstances, in order to avoid further damage in case of an accident initiate the following measures:**

- Properly secure the scene of the accident.
- If necessary, provide first aid.
- Put out small fires with a fire extinguisher.
- Call the fire department and describe the situation briefly and factually (you will be specifically asked for detailed information).
- Inform your employer.

### 3. SETUP



**Image 1. Assemblies**

- |   |                               |
|---|-------------------------------|
| 1 | Quick coupler (Thread G3/8)   |
| 2 | Pressure gauge                |
| 3 | Fastening screw (Thread G1/4) |
| 4 | Compressed air hose           |
| 5 | Valve adaptor                 |
| 6 | Suspension eye                |
| 7 | Operating lever               |

**The device has the following components:**

- robust manometer with plastic cap (protection)
- quick coupling for supply hose (hose length 500 mm) with nominal size 7,2 mm
- control lever for one hand operation
- valve adaptor for common vehicle valves (Schrader-Valve)
- hanging loop for storing the device

## 4. COMMISSIONING

### 4.1 Transport and storage

The device is securely packaged and shipped by WEGMANN automotive GmbH.

- Keep the original packaging carefully for the entire service life of the product.
- Use the original packaging for storing and transporting the device.
- Do not dispose of the packaging until the product has reached the end of its service life.
  - Chap. 8.4 „Final decommissioning/disposal“
- Store the device in a dry and dust-free place.
- Do not expose the device to liquids and / or aggressive substances.

### 4.2 Installation

**Proceed as follows:**

1. Check the device for transport damage.
  2. Release residual pressure from the supply line.
  3. Connect the compressor supply hose (nominal size 6 mm) to the quick coupling.
  4. Establish compressed air or nitrogen supply.
- the device is ready for use**

### 4.3 Check before use

**Perform the following steps before each use:**

- Check that all device connections are secure.
- Check the manometer for a tight fit.
- Before inflating a tire, get to know the correct tire pressure and do not exceed this value.

### 4.4 Check after use

**Perform the following steps after each use:**

- Check the device for external damage.
- Clean the device and the surrounding work area.
- Record and, if necessary, report any deficiencies found during an operation.
- Always use the hanging loop after use.

## 5. SERVICE

### WARNING

Serious injuries from compressed air!  
Compressed air can cause injuries to the skin or eyes.

- Always use suitable protective clothing.
- Only use the device when it is connected.
- Always keep the valve adapter away from you.

Use the operating lever to handle the device.

#### In principle:

- Attach the valve adapter to the tire's valve.
  - Turn the valve adapter clockwise about half a turn.
- To fill, press the operating lever all the way down.
- Operate the control lever halfway to evacuate the air.

### 5.1 Check pressure

- Read the pressure on the manometer.
- Correct the pressure as described below.

**The tire pressure has been checked.**

### 5.2 Fill tires

1. Press the control lever all the way down.
2. Inflate the tires by briefly pressing the control lever.
3. Check the pressure increase on the manometer during the filling process.

**The tire pressure is established.**

### 5.3 Deflate tires

4. Actuate the operating lever halfway.
5. Deflate the tires by briefly pressing the control lever.
6. Check the pressure drop on the manometer during the deflating process.
7. The tire pressure is established.

## 6. TROUBLESHOOTING IN CASE OF MALFUNCTIONS

Malfunction	Cause	Remedy
Hard operating lever	Operating lever is stuck	Clean
	the valve pin is stuck on the operating lever	Clean or oil
Manometer shows no value	Device is not connected properly	Check connections
	Untight connections	Replace defective components

If you cannot resolve a malfunction:

- ➔ Contact the customer service.
- ➔ Chap. 9.2 „Customer service“

## 7. MAINTAINANCE

Maintenance serves to conserve the operational readiness and to prevent premature wear. Maintenance is divided into:

- care and cleaning,
- servicing,
- calibration,
- repair.

### 7.1 Care and cleaning

#### WARNING

Serious injuries from compressed air!  
Compressed air can cause injury to the skin or eyes.

- Always use suitable protective clothing.
- Only use the device when it is connected.
- Always keep the valve adapter away from you.

#### ATTENTION

Serious injuries from compressed air!  
Compressed air can cause damage to components

- Do not point the valve adapter at other objects
- Disconnect the device from the compressed air network

Follow the steps below to clean the exterior:

- Disconnect the device from the compressed air network.
- Use a dry rag to remove loose dirt and dust.
- ☑ **The outside of the device has been cleaned.**

## 7.2 Servicing

The tire inflator is maintenance-free.

In order to guarantee the correct operating condition of the device, the operating personnel must regularly check the safety-related equipment for proper function, ensure their effectiveness and observe recurring tests.

- Report any security deficiencies found.
- In the event of defects that endanger operational safety, the operating personnel must take the device out of operation.

## 7.3 Calibration

The national provisions of the Measurement and Verification Act (MessEG) and the new Measurement and Verification Ordinance (MessEV) in the current version apply. The tire inflation device complies with the harmonized European standard DIN EN 12645:2014 for tire pressure measuring devices.

In Germany, the calibration is valid 2 years from the year in which the measuring device was calibrated.

- Let a certified expert calibrate your device every 2 years.

## 7.4 Repair

### WARNING

Serious injuries due to improper work!  
Improperly carried out repair work can impair the safety of the device and lead to serious injuries. Always use suitable protective clothing.

- Refrain from repair work

**Do not make temporary repairs to worn or damaged components but replace the defective device with a replacement one.**

- Contact the customer service.
  - Chap. 9.2 „Customer service“



## 8. SHUTDOWN

### 8.1 Disconnect device connections

Proceed as follows:

→ Disconnect the compressed air supply.

☑ **The device connections are separated.**

### 8.2 Temporary shutdown

If the device is not used for two or more months, observe the following instructions:

→ Disconnect the device connections.

→ Store the device properly.

→ Chap. 4.1 „Transport and storage“

☑ **The device is temporarily out of order.**

### 8.3 Recommissioning

If the device has not been used for two or more months, observe the following instructions:

→ Check the device for function and safety after a temporary shutdown.

→ Chap. 4.3 „Check before use“

☑ **The device is ready for use.**

### 8.4 Final decommissioning/ disposal

The packaging is made from environmentally friendly and recyclable materials

The device must be taken out of service and properly disposed of.

→ Ensure proper and environmentally friendly disposal.

→ Observe the national and local regulations for disposal.

☑ **The device is properly disposed of.**

# 9. SPARE PARTS AND CUSTOMER SERVICE

## 9.1 Spare parts

The use of non-approved spare parts can impair safety and invalidate the warranty.

- Use only original spare parts or spare parts approved by WEGMANN automotive GmbH.
- Contact WEGMANN automotive GmbH.

## 9.2 Customer service

If you have any questions or suggestions, please contact our customer service using the following contact details:

### **WEGMANN automotive GmbH**

Rudolf-Diesel-Straße 6  
97209 Veitshoechheim  
Germany

Phone: +49 (0) 931-32104-230  
E-Mail: [cseu@wegmann-automotive.com](mailto:cseu@wegmann-automotive.com)  
Internet: [www.wegmann-automotive.com](http://www.wegmann-automotive.com)

## 10. TECHNICAL SPECIFICATIONS

Filling medium	Air / Nitrogen						
Weight	730 g						
Max. permissible operating pressure	16 bar						
Temperature range	-20 °C to +55 °C						
Manometer measuring range	0-12 bar / 170 psi						
Manometer display accuracy	<table> <tr> <td><math>p_m \leq 4</math> bar:</td> <td><math>\pm 0,08</math> bar</td> </tr> <tr> <td><math>4 \text{ bar} &lt; p_m \leq 10</math> bar:</td> <td><math>\pm 0,16</math> bar</td> </tr> <tr> <td><math>p_m &gt; 10</math> bar:</td> <td><math>\pm 0,25</math> bar</td> </tr> </table>	$p_m \leq 4$ bar:	$\pm 0,08$ bar	$4 \text{ bar} < p_m \leq 10$ bar:	$\pm 0,16$ bar	$p_m > 10$ bar:	$\pm 0,25$ bar
$p_m \leq 4$ bar:	$\pm 0,08$ bar						
$4 \text{ bar} < p_m \leq 10$ bar:	$\pm 0,16$ bar						
$p_m > 10$ bar:	$\pm 0,25$ bar						
Manometer graduation	0,1 bar						



**WEGMANN automotive GmbH**

Rudolf-Diesel-Straße 6  
97209 Veitshoechheim  
Germany

Phone: +49 (0) 931-32104-0  
E-Mail: [info@wegmann-automotive.com](mailto:info@wegmann-automotive.com)  
Internet: [www.wegmann-automotive.com](http://www.wegmann-automotive.com)

Status: 04/2024  
Doc-No.: 9-1499XX-MID\_BA